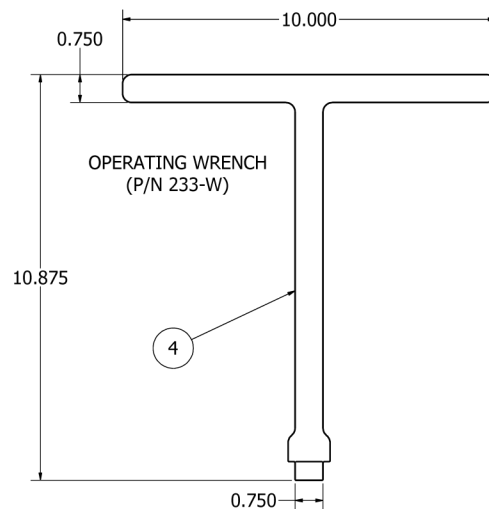


* VENTING STYLE IS OPTIONAL - WHEN ORDERING
ADD A "-V" TO THE PART NUMBER.

Parts List			
ITEM	QTY	DESCRIPTION	MATERIAL
1	1	BODY	STAINLESS STEEL
2	1	GASKET	NEOPRENE RUBBER
3	1	PLUG	CAST BRONZE
4	SOLD SEPARATELY	OPERATING WRENCH	ZINC PLATED STEEL



PRODUCT DIMENSIONS

PART NO.	A (SIZE)	B	C	D	E	WEIGHT
1.5-133SOCSS	1.5	1.95-1.98	3.800	1.500	ANSI 2" NPSM	3.5 (LB.)
2-133SOCSS	2	2.44-2.47	3.800	1.500	ANSI 2" NPSM	3.5
2.5-133SOCSS	2.5	2.94-2.97	4.750	1.500	ANSI 3" NPSM	6
3-133SOCSS	3	3.57-3.60	4.750	1.500	ANSI 3" NPSM	6

DRAWN ledbetter	10/27/2006	TITLE	
CHECKED		MODEL 133 - SOUNDING TUBE	
QA		SIZE C	DWG NO SERIES 133
MFG		SCALE	REV
APPROVED			
		SHEET 1 OF 1	