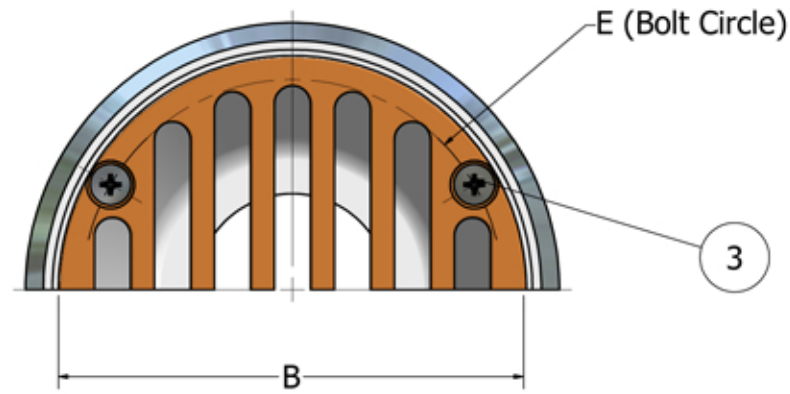


136 Series (2:1 RATIO)

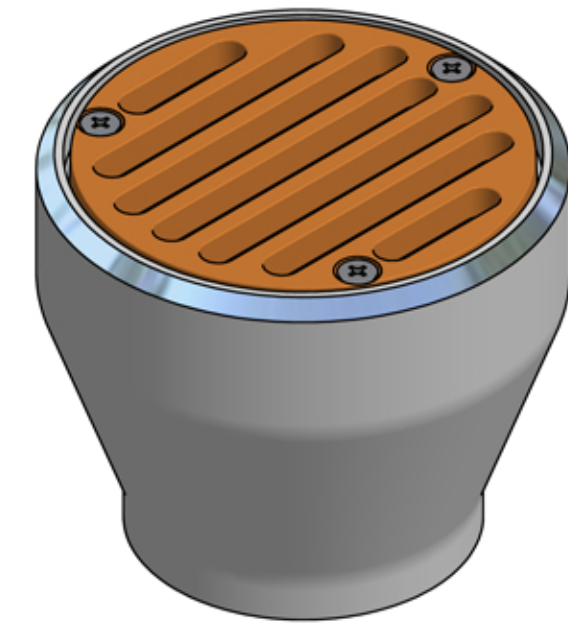
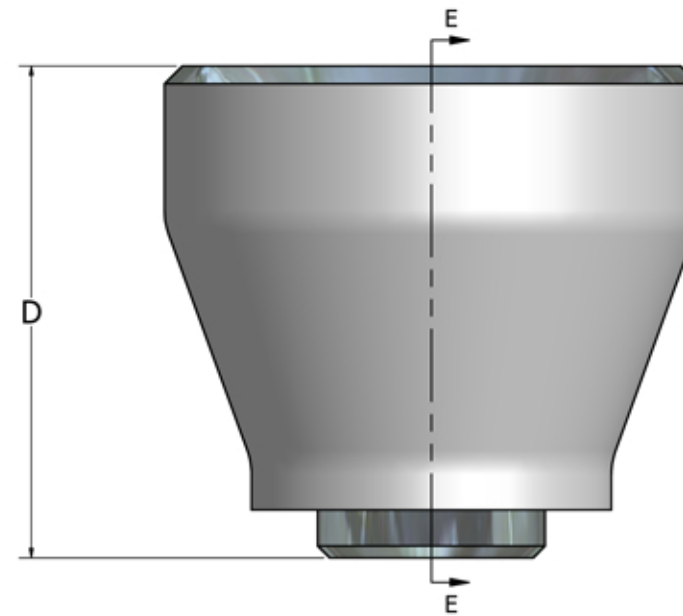
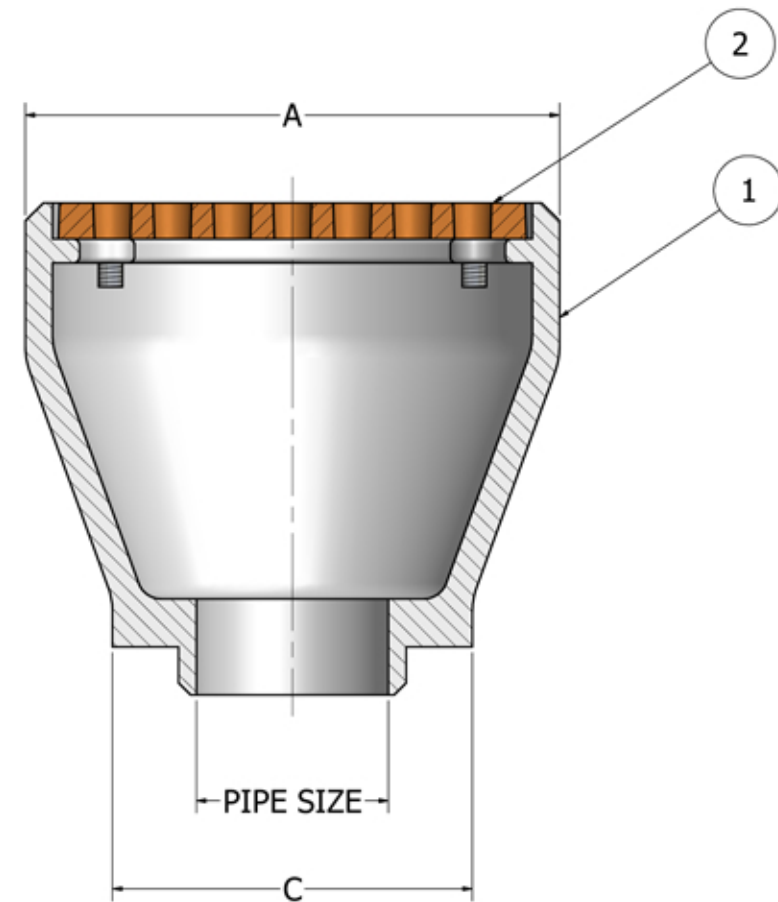
When Ordering, Please Specify:
Threaded, Butt weld, or Socket weld

Material: 1020 Galvanized Steel w/Bronze Strainer



Parts List		
ITEM	QTY	PART NUMBER
1	1	BODY
2	1	STRAINER
3	3*	MOUNTING SCREW

*6" has (4) Mounting Screws



SIZE CHART							
SIZE	A	B	C	D	E	LBS.	OPEN AREA RATIO
2	5.500	4.875	3.750	5.250	4.375	8.0	2.6 to 1
3	6.500	5.875	5.000	5.625	5.250	10.5	2.0 to 1
4	11.750	10.875	7.500	5.750	10.000	35.0	2.9 to 1